

Technical data sheet

Product features



Cooking range solid top gas with electric static oven

Model	SAP Code	00009076
--------------	-----------------	----------



- Device type: Combined unit
- Ignition: Piezo + Eternal Flame
- Type of internal part of the appliance 1 (eg oven): Electric
- Type of internal part of the appliance 2 (eg oven): Static
- Material: AISI 304 top plate and cladding

SAP Code	00009076	Loading	400 V / 3N - 50 Hz
Net Width [mm]	1200	Power gas [kW]	36.100
Net Depth [mm]	730	Type of gas	Natural gas, propane butane
Net Height [mm]	900	Type of internal part of the appliance 1 (eg oven)	Electric
Net Weight [kg]	160.00	Type of internal part of the appliance 2 (eg oven)	Static
Power electric [kW]	6.300	Solid top dimensions [mm x mm]	370 x 545

Technical data sheet

Technical drawing

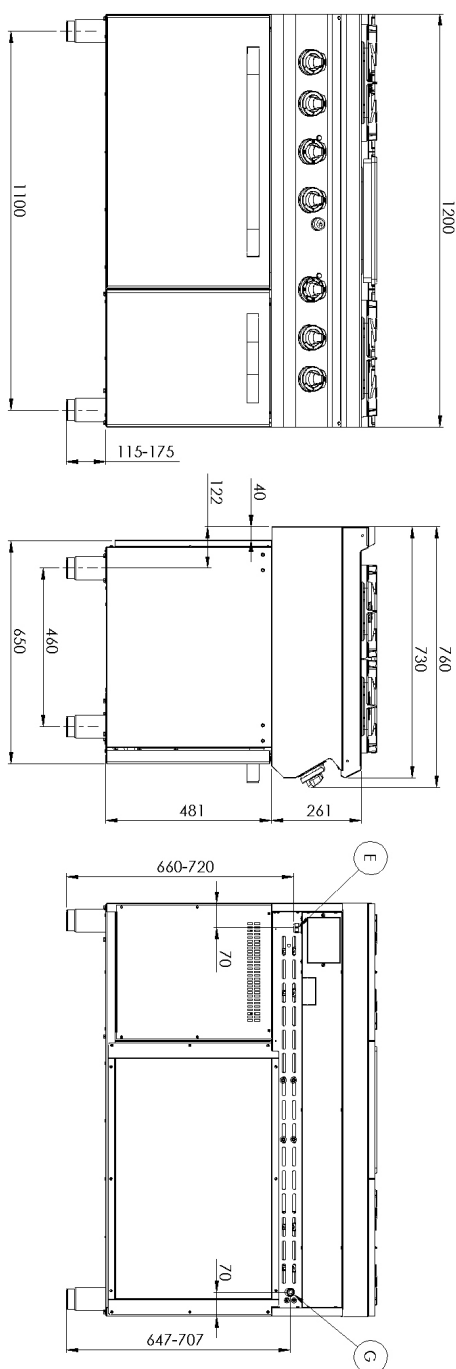


Cooking range solid top gas with electric static oven

Model

SAP Code

00009076



Technical data sheet

Technical parameters



Cooking range solid top gas with electric static oven

Model

SAP Code

00009076

1. SAP Code:

00009076

2. Net Width [mm]:

1200

3. Net Depth [mm]:

730

4. Net Height [mm]:

900

5. Net Weight [kg]:

160.00

6. Gross Width [mm]:

1240

7. Gross depth [mm]:

800

8. Gross Height [mm]:

1080

9. Gross Weight [kg]:

177.00

10. Device type:

Combined unit

11. Construction type of device:

Stationary

12. Power electric [kW]:

6.300

13. Loading:

400 V / 3N - 50 Hz

14. Power gas [kW]:

36.100

15. Ignition:

Piezo + Eternal Flame

16. Type of gas:

Natural gas, propane butane

17. Device color:

Stainless steel

18. Material:

AISI 304 top plate and cladding

19. Worktop type:

Molded - comfortable cleaning maintenance

20. Worktop material:

AISI 304

21. Worktop Thickness [mm]:

1.50

22. Grid material:

Cast iron

23. Service accessibility:

Trough the frontal panel

24. Safety thermocouple:

Yes

25. Adjustable feet:

Yes

26. Number of burners/hot plates:

5

27. Type of gas cooking zones:

Fire protection to install + Classic burners

28. Burner type:

Brass, detachable

Technical data sheet

Technical parameters



Cooking range solid top gas with electric static oven

Model

SAP Code

00009076

29. Oven Type:

electrical static

34. Gasket:

Yes

30. Oven power electric [kW]:

6.30

35. Solid top thickness [mm]:

30

31. Oven size:

GN 2/1

36. Solid top dimensions [mm x mm]:

370 x 545

32. Type of internal part of the appliance 1 (eg oven):

Electric

37. Solid top ignition:

Piezo + Eternal Flame

33. Type of internal part of the appliance 2 (eg oven):

Static